

20" PDi Inova²⁰ HDTV LCD (PDi – P20LCDC)



Introducing the 20" PDi Inova²⁰ Hospital Grade HDTV LCD

Hospital UL6500H Approved

NTSC/ATCS/QAM Tuner

Universal Pillow Speaker Control

400:1 Contrast Ratio

170° 4-Way Viewing Angles

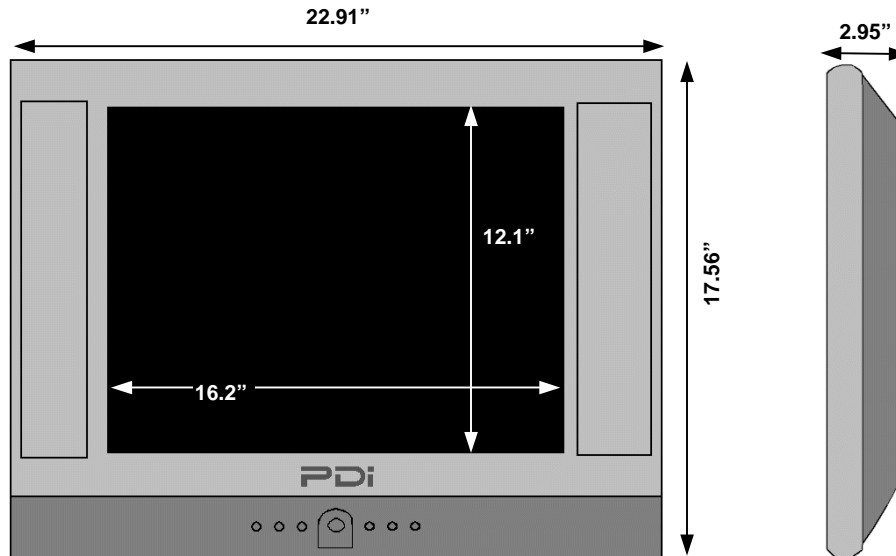
640x480 Resolution

Multiple Interactive System Ready

PDi® Better solutions are within reach®

Visit us at www.pdiarm.com

P20LCDC Screen & Cabinet Dimensions: (Weight = 18.8 lb without stand)



Video Features

Input Connections (rear panel)

Tuners	NTCS / ATSC / Clear QAM / FM	AV (In, L, R, Video)	Yes
Programmable V-Chip	Yes	S-Video	Yes
Closed Caption	Yes	S-Video Audio	Yes
Current Program Screen Info	Yes	Component 1	Yes
Time of Day Display	Yes	PC w/ audio	No
Audio Format	Dolby® AC-3	HDMI	No
DTV Input	480i – 1080i	Universal ¼" Pillow Speaker	Yes
Luminance	450 cd/m ²	CCI	Yes
Contrast Ratio	400:1	MTI w/ power option	Yes
Viewing Angles	170° 4-Way Viewing Angles	RS-232	Yes
Aspect Ratio	4:3	ANT (female F-connector)	Yes
Color Depth	16.7 Million	AC Power	Yes
Screen Resolution	640 x 480	VESA Mounting Pattern	100mmx100mm
Response Time	12 msec		

Audio Features

Sound Mode	Analog: Mono/Stereo/SAP Digital: Multi Lingual Selection
Audio Power	6 w (3w x 2)
Equalizer	Yes (5 Preset Levels) <i>Flat, Music, Movie, Speech, User</i>
Audio Volume Leveler	Yes

Universal Pillow Speaker Switch

External Four-Position Slide Switch

- 1) **OFF:** Port Disabled (0 volts)
- 2) **CZ:** (+14 volts)
- 3) **CP:** (+5 volts)
- 4) **CR:** (- 5 volts)

Pillow Speaker Port Conductors:

Audio.....Tip
Data.....Ring
Common.....Sleeve

Isolated per UL6500H Yes

Industry Required Approvals

UL, C-UL	Yes
Hospital UL6500H	Yes
FCC Tuner Requirements	Yes

Power Consumption

Active Power Consumption	150w max
Power Source	120v Direct AC

Warranty

Two (2) Years parts and Labor