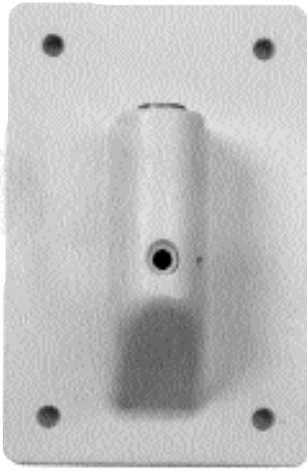




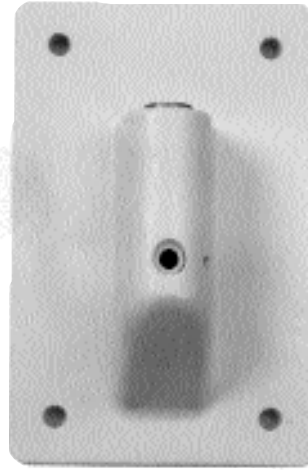
PDi-B

WALL BRACKETS



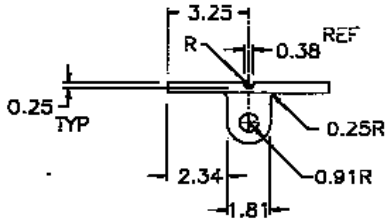
Heavy duty cast aluminum bracket designed for wall mounting and supporting PDi support arms (model 400 or 500). Bracket has four mounting holes for attachment to reinforcing plates or directly into solid backing in wall. Permanently lubricated oilite pivot bushing. Standard bushing size in 5/8", 1/2" is available on request. Coax through hole in bracket allows cable to pass thru and be anchored. Earth ground is made easy by green ground screw in rear of casting. Approved by the California Office of Statewide Health Planning and Development (OSHPD).

PDI-178C

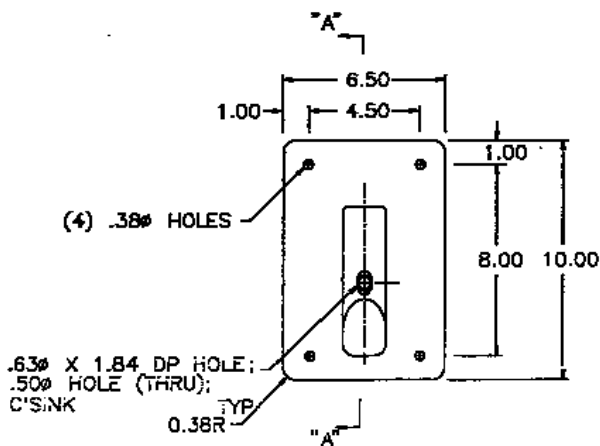


Heavy duty cast aluminum bracket designed for wall mounting and supporting PDi support arms (model 400 or 500). Bracket has custom hole pattern for mating with older Bunting style wall brackets being replaced. This hole pattern does not match any PDi reinforcing plates. Permanently lubricated oilite pivot bushing. Standard bushing size in 5/8", 1/2" is available on request. Coax through hole in bracket allows cable to pass thru and be anchored. Earth ground is made easy by green ground screw in rear of casting.

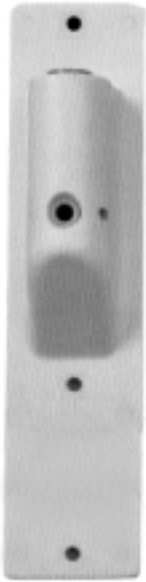
PDI-178 Bunting



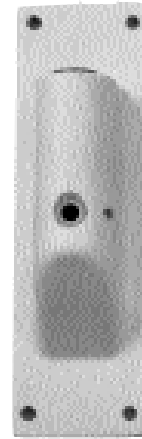
see diagram next page



WALL BRACKETS



Heavy duty cast aluminum bracket designed for wall mounting and supporting PDi support arms (model 400 or 500). Bracket has three mounting holes in-line for attachment to the face of a single stud. Permanently lubricated oillite pivot bushing. Standard bushing size in 5/8", 1/2" is available on request. Coax through hole in bracket allows cable to pass thru and be anchored.

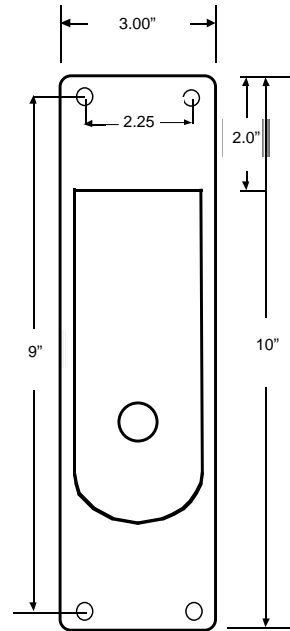
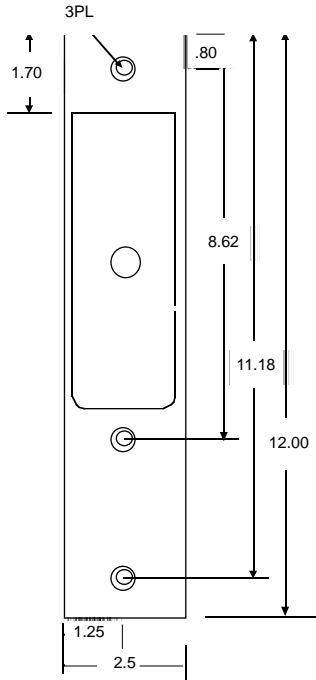


Heavy duty cast aluminum bracket designed for wall mounting and supporting PDi support arms (model 400 or 500). Bracket has custom hole pattern for mating with older Bunting style wall brackets being replaced. This hole pattern does not match any PDi reinforcing plates. Permanently lubricated oillite pivot bushing. Standard bushing size in 5/8", 1/2" is available on request. Coax through hole in bracket allows cable to pass thru and be anchored.

PDi- 119C Slim line

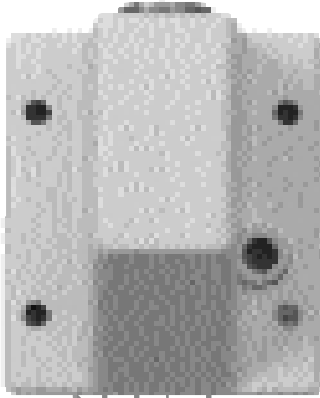
PDi- 178HRC

DRILL & CO SINK FOR 1/4 FLAT HEAD



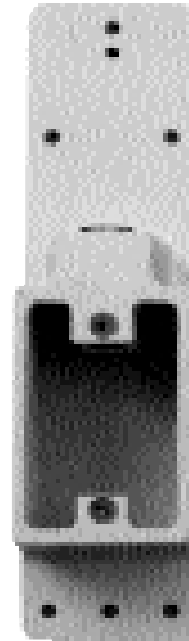
OR BOLT
PATTERN AS
REQUIRED

WALL BRACKETS



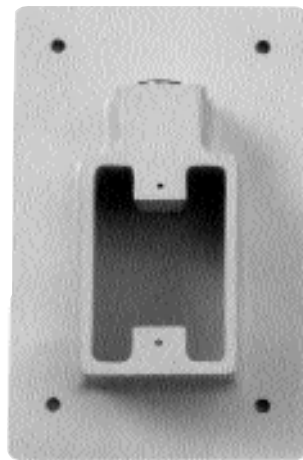
Heavy duty cast aluminum bracket designed for wall mounting and supporting PDi support arms (model 400 or 500). Bracket has four mounting holes for attachment to a Hill-Rom Horizon style headwall. A customer supplied vertical channel will accept this foot print and mounting hole pattern. Permanently lubricated oillite pivot bushing. Standard bushing size in 5/8", 1/2" is available on request. Coax through hole in bracket allows cable to pass thru and be anchored.

PDi- 172
Hill Rom- Horizon



Heavy duty cast aluminum bracket designed for wall mounting and supporting PDi support arms (model 400 or 500). Bracket has custom hole pattern for mating with older Bunting style wall brackets being replaced. This hole pattern does not match any PDi reinforcing plates. Permanently lubricated oillite pivot bushing. Standard bushing size in 5/8", 1/2" is available on request. Bracket has provisions for mounting single gang stainless steel plate for power feed thru or simple RF feed thru.

PDi- 1370C

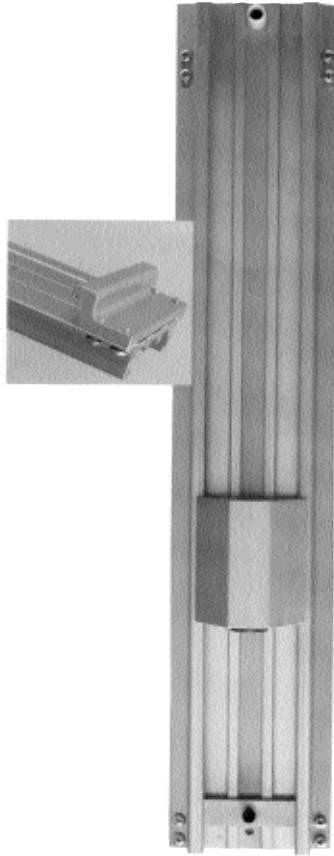


Heavy duty cast aluminum bracket designed for wall mounting and supporting PDi support arms (model 400 or 500). Bracket has four mounting holes for attachment to reinforcing plates or directly into solid backing in wall. Permanently lubricated oillite pivot bushing. Standard bushing size in 5/8", 1/2" is available on request. Bracket has provisions for mounting single gang stainless steel plate for power feed thru or simple RF feed thru.

PDi -1144C

SEE WALL BRACKET DIAGRAMS NEXT PAGES

WALL BRACKETS



PDI-1346
Hill-Rom adjustable track
mount. Bolts to horizontal
Hill-Rom headwall extruded
channel. Sliding block pro-
vides adjustable height.

PDi -1346C

SEE NEXT PAGE-DIAGRAM PDI 1346