

TECHNICAL DATA SHEET - Articulating Swivel Arm for 32" - 60" Large Flat Panel Screens



MODELS: PLA1-UN7, PLA1-UN7S



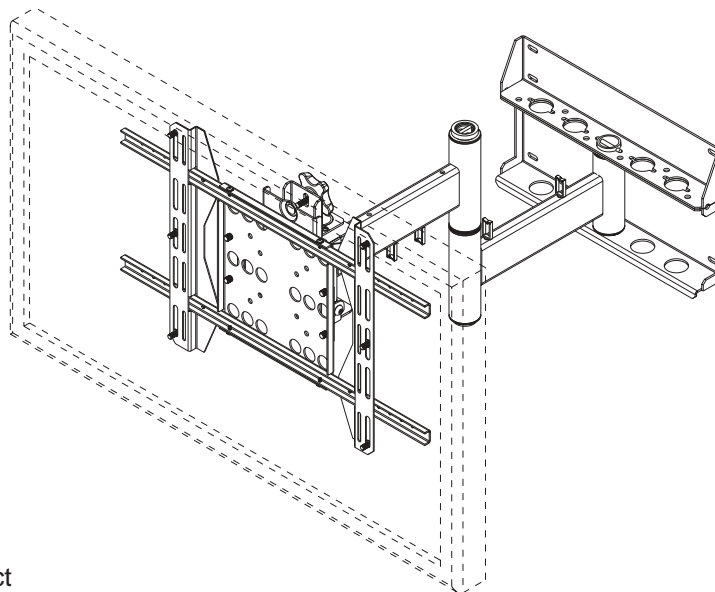
The **Articulating Swivel Arm** allows multiple viewing positions within the same room. When retracted, the screen sits almost flush against the wall, or the articulating arm can be extended to maximum of 30.5" (77.5 cm) from the wall. Three pivot points on the arm with 180 degree swivel create limitless viewing positions. Multiple attachment points on the wall plate are provided so the arm can be mounted at the center or left/right of center on the wall plate. 18" wall plate mounts to two studs with 16" centers. Can only be mounted to wood studs, solid concrete, or cinder block with appropriate fasteners.

Features:

- Compatible with over 170 screens ranging from 32" to 60" (see compatibility chart)
- Articulating arm can be center mounted or at four other points off center
- Extends up to 30.5" (77.5 cm) away from wall for perfect viewing
- Three point swivel action
- Adjustable screen tilt with a max. 10° forward, 5° backward
- Bracket adds approximately 4" (10.2 cm) to depth of screen
- Wire management contains and protects cords
- Screen mounts vertically or horizontally
- Mount allows for self-leveling adjustment for screen to sit level at any angle
- Can only be mounted to wood studs, solid concrete, or concrete block with appropriate fasteners
- Heavy gauge cold rolled steel construction
- Scratch resistant black or silver fused epoxy finish
- Easy to assemble instructions
- theft-resistant security screws

Accessories:

- Alligator® concrete anchors (ACC 204)



Dimensions:

Weight:

43.2 lb (19.6 kg)

Shipping weight:

47.7 lb (21.6 kg)

Maximum Load Capacity:

185.0 lb (83.9 kg)

Shipping Carton dimensions:

L = 29.125" (740 mm)

W = 15.75" (400 mm)

H = 5.00" (127 mm)

ARCHITECTS SPECIFICATIONS

The Articulating Swivel Arm shall be a Peerless model _____ and shall be located where indicated on the plans. It shall be constructed of heavy gauge cold rolled steel with 0°-10° adjustable forward and 5° backward tilt. The wall plate shall feature five mounting positions at 3" intervals. The finish shall be scratch resistant black or silver fused epoxy. Assembly and installation shall be done according to instructions provided by the manufacturer.

Peerless Industries, Inc.

3215 North Ave. Melrose Park, IL 60160
708-865-8870 800-865-2112 Fax 708-865-2941

www.peerlessmounts.com

ISSUED: 10-07-04 SHEET NO: 201-9638-3 12-22-05

©2005 Peerless Industries, Inc. All rights reserved.

Peerless is a registered trademark of Peerless Industries, Inc.

All other brand and product names are trademarks or registered trademarks of their respective owners.

TECHNICAL DATA SHEET

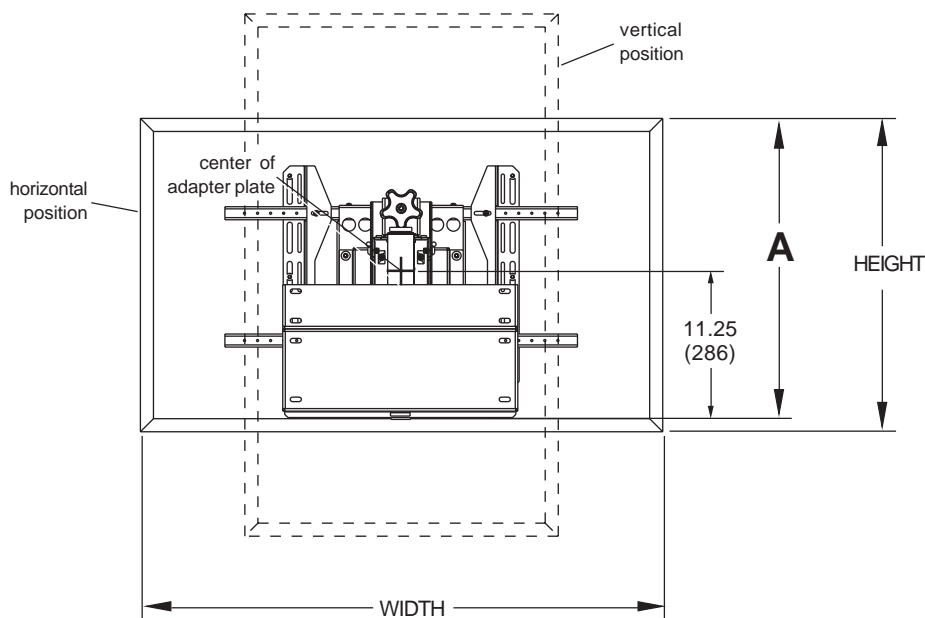
MODELS: PLA1-UN7, PLA1-UN7S

A = 1/2 HEIGHT OF SCREEN + 11.25"

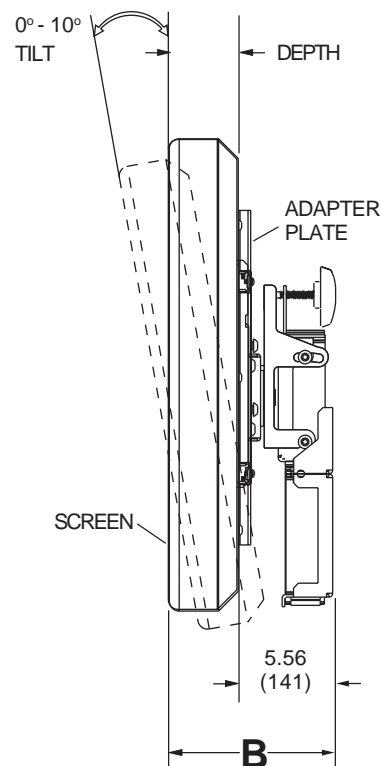
B = DEPTH OF SCREEN + 5.56"

ALL DIMENSIONS: inch (mm)

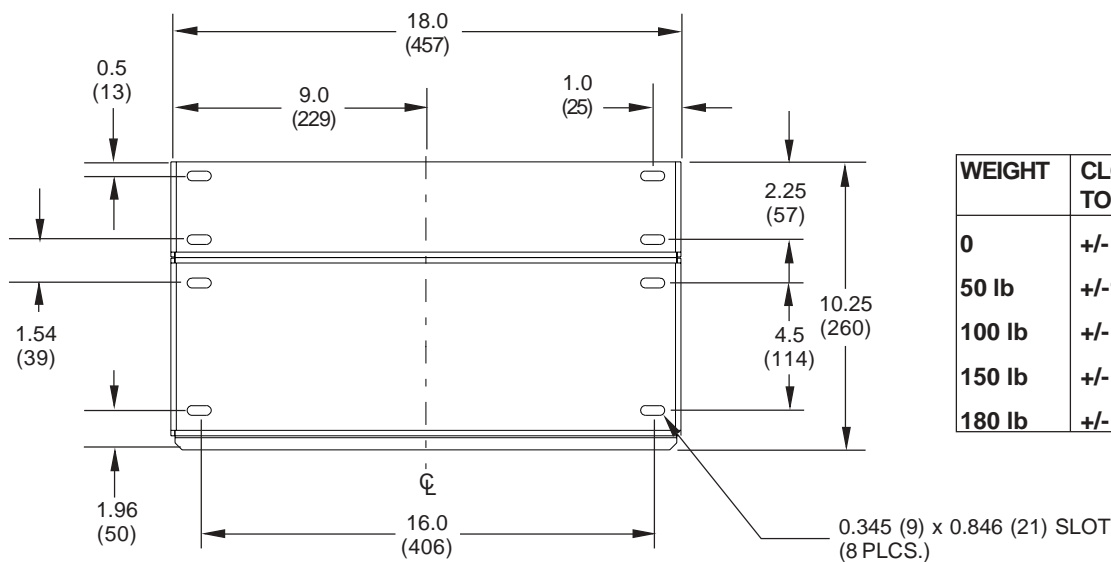
For TV's enclosed in cabinets, see chart below to allow for minimum clearance.



BACK VIEW



SIDE VIEW



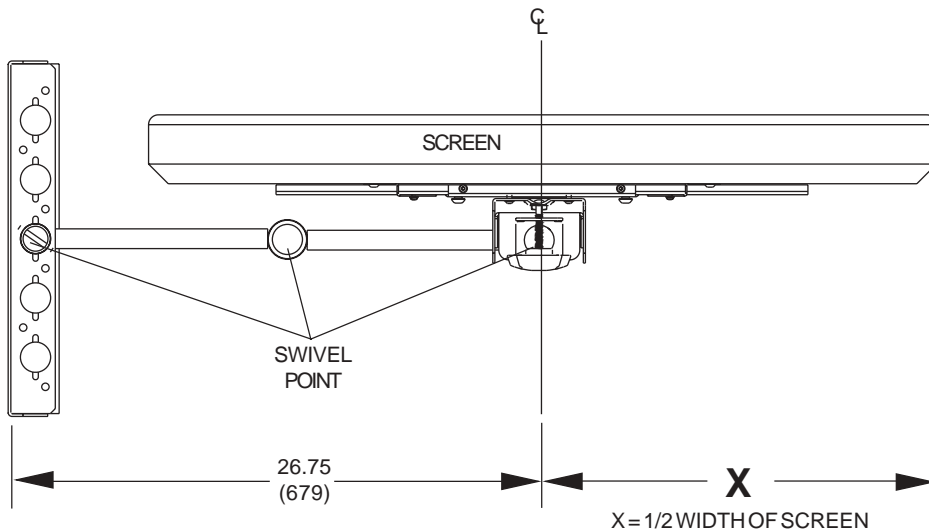
WALL PLATE DETAIL

WEIGHT	CLOSED TOLERANCE	EXTENDED TOLERANCE
0	+/- 0	+/- 0
50 lb	+/- 1/16"	+/- 1/8"
100 lb	+/- 1/8"	+/- 1/4"
150 lb	+/- 3/16"	+/- 5/16"
180 lb	+/- 1/4"	+/- 3/8"

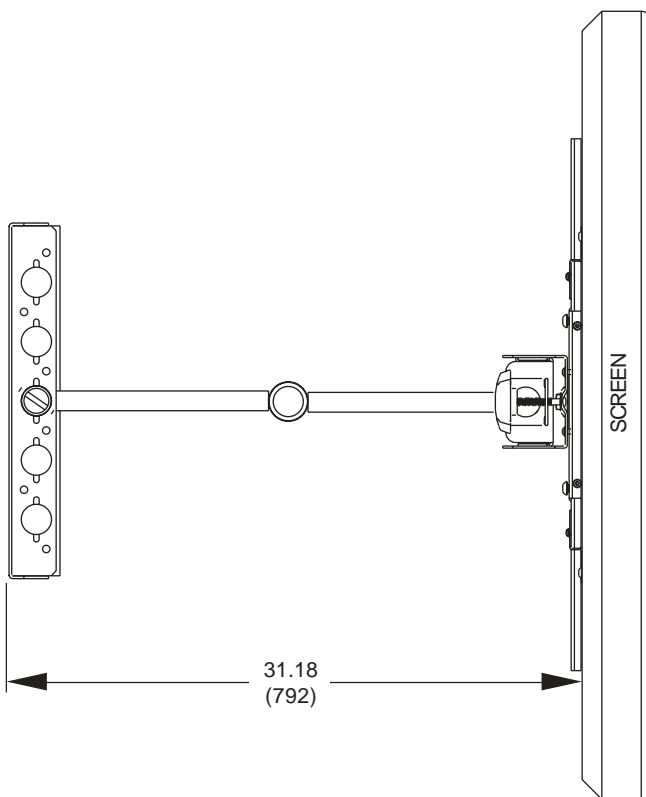
TECHNICAL DATA SHEET

MODELS: PLA1-UN7, PLA1-UN7S

ALL DIMENSIONS: inch (mm)



TOP VIEW (A)



TOP VIEW (B)

ADAPTER BRACKET DETAILS

ALL DIMENSIONS: inch (mm)

